



# LP Series-General Purpose LP12-250(12V250Ah)

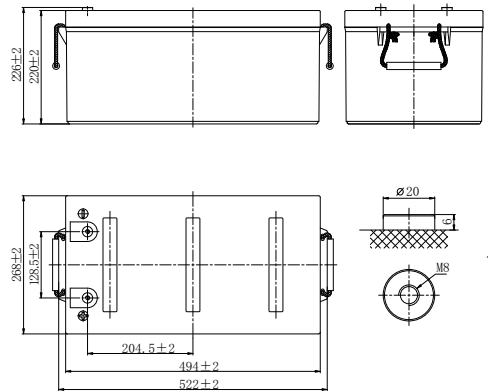


## Specifications

Rated Voltage	12V	
Nominal Capacity	250.0Ah	(C <sub>10</sub> , 1.80V/cell)
Dimension	Length	522±2mm (20.55 inches)
	Width	268±2mm (10.55 inches)
	Container Height	220±2mm (8.66 inches)
	Total Height	226±2mm (8.90 inches)
Approx Weight	70.6 Kg (155.7 lbs)	
Terminal	M8	
Container Material	ABS	
Rated Capacity (25°C)	262.0 Ah	(20hr, 13.1A, 1.80V/cell)
	250.0 Ah	(10hr, 25.0A, 1.80V/cell)
	227.5 Ah	(5hr, 45.5A, 1.75V/cell)
	207.3 Ah	(3hr, 69.1A, 1.75V/cell)
	159.4 Ah	(1hr, 159.4A, 1.60V/cell)
Max. Discharge Current	2500A (5s)	
Internal Resistance (25°C)	Approx 2.8mΩ	
Operating Temp. Range	Discharge	-15 ~ 50°C (5 ~ 122°F)
	Charge	-20 ~ 40°C (-4 ~ 104°F)
	Storage	-15 ~ 40°C (5 ~ 104°F)
Nominal Operating Temp. Range	25±3°C (77±5°F)	
Cycle Use	Initial Charging Current less than 75.0A. Voltage 14.4V~15.0V at 25°C(77°F)Temp. Coefficient -30mV/°C	
Standby Use	Initial Charging Current less than 75.0A. Voltage 13.5V~13.8V at 25°C(77°F)Temp. Coefficient -20mV/°C	
Effect of temp. to Capacity	40°C (104°F)	103%
	25°C (77°F)	100%
	0°C (32°F)	86%
Self Discharge	LP series batteries may be stored for up to 6 months at 25°C(77°F) and then a freshening charge is required. For higher temperatures the time interval will be shorter. ≤3%/month @ 20°C ~ 25°C	



## Layout



## Constant Current Discharge (Amperes) at 25 °C (77°F)

F.V/Time	10min	15min	20min	30min	45min	1h	1.5h	2h	3h	4h	5h	6h	8h	10h	20h
1.85V/cell	362.5	320.7	252.2	225.5	164.9	139.7	101.2	85.1	62.4	49.0	42.5	37.5	28.8	23.9	12.7
1.80V/cell	411.4	363.4	285.1	245.5	174.7	144.7	104.7	87.9	67.8	52.3	44.7	40.3	30.3	25.0	13.1
1.75V/cell	446.2	393.4	307.8	250.5	181.0	151.8	110.0	92.5	69.1	53.3	45.5	40.6	30.5	25.3	13.3
1.70V/cell	475.7	417.8	326.4	255.5	184.6	154.8	112.2	94.4	70.4	54.2	46.3	40.8	30.9	25.5	13.4
1.67V/cell	490.8	430.0	335.3	259.3	187.3	157.1	113.9	95.7	71.1	55.0	47.2	41.0	31.4	25.8	13.6
1.60V/cell	507.6	443.4	343.9	263.0	190.1	159.4	115.5	97.1	71.7	55.7	47.9	41.3	31.8	26.1	13.7

## Constant Power Discharge (Watts/cell) at 25 °C (77°F)

F.V/Time	10min	15min	20min	30min	45min	1h	1.5h	2h	3h	4h	5h	6h	8h	10h	20h
1.85V/cell	641.2	582.9	460.5	413.7	304.4	259.3	188.4	158.9	117.1	92.3	80.4	71.1	54.9	45.6	24.2
1.80V/cell	717.3	652.0	515.0	446.8	320.3	267.2	193.9	163.3	126.5	98.1	84.2	76.0	57.6	47.6	25.1
1.75V/cell	765.6	695.9	549.7	452.4	329.9	279.1	202.9	171.2	128.6	99.6	85.3	76.4	57.7	48.1	25.2
1.70V/cell	804.8	731.5	577.9	457.6	334.2	283.1	206.0	174.0	130.7	101.0	86.5	76.7	58.6	48.5	25.5
1.67V/cell	817.9	743.4	587.3	460.9	337.2	285.7	208.0	175.7	131.3	102.1	88.0	76.8	59.2	49.1	25.8
1.60V/cell	829.4	753.9	595.6	462.8	338.9	287.8	209.7	177.1	131.8	102.9	88.9	77.1	59.9	49.5	26.0



# LP Series-General Purpose LP12-250(12V250Ah)



## Applications

- All purpose
- Uninterruptable Power Supply (UPS)
- Electric Power System (EPS)
- Emergency backup power supply
- Alarm and security system
- Communication power supply
- DC power supply
- Auto control system

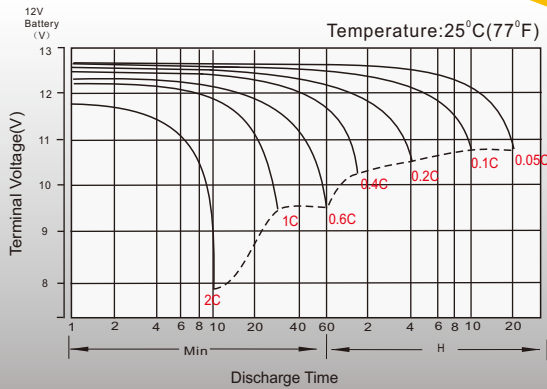
## General Features

- 10 years design life(25°C)
- Special exhaust structure and sealing technology, safe and reliable, flexible installation, convenient maintenance
- PbCaSn alloy for plate grids: less gassing, less self-discharging
- High quality AGM separator: extend cycle life and prevent micro short circuit
- High purity raw material: ensure low self discharge rate

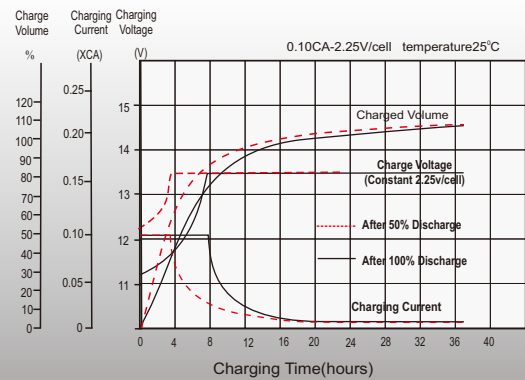
## Standards

- Compliance with IEC 60896 standards, EU Battery Directive
- UL, CE Certified
- Manufactured in Leoch®IATF 16949, ISO45001, ISO 9001 and ISO 14001 certified production facilities

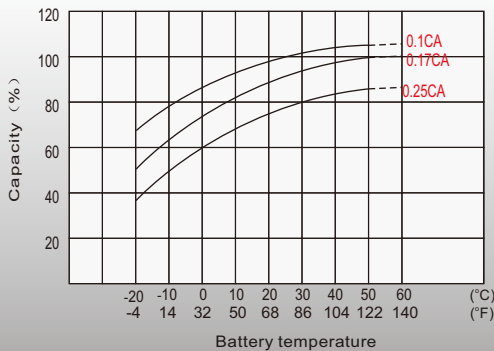
## Discharge Characteristics



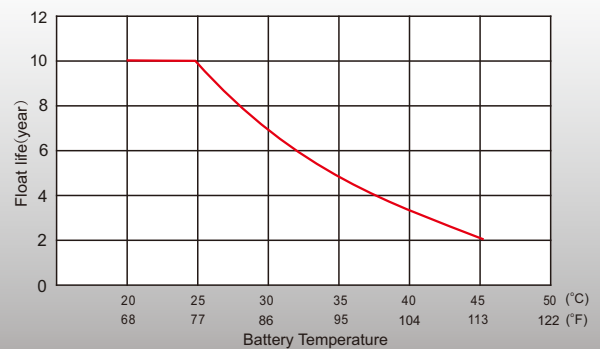
## Float Charging Characteristics



## Temperature Effects in Relation to Battery Capacity



## Effect of Charging Temperature on Long Term Float Life



## Sales Offices Worldwide

### China Sales Office

5th Floor, Xinbaohui Bldg., Nanhai Blvd.,  
Nanshan, Shenzhen, China. 518052  
Tel: +86-755-86036060 (100 lines)  
Tel: +86-755-26067269  
E-mail: export@leoch.com

### HongKong Sales Office

Workshop C, 33/F, TML Tower, No. 3 Hoi Shing Road,  
Tsuen Wan, New Territories, Hong Kong  
Tel: +852 35786666  
Tel: +44(0) 1452 729428 / 1452 729696  
E-mail: sales.hk@leoch.com

### Singapore Sales Office

No. 1 Tech Park Crescent,  
Singapore 638131  
Tel: +65 68636078  
Tel: +65 6863 6079  
E-mail: sales.sg@leoch.com

### Australia Sales Office

2 /29 Tarlington Place, Smithfield, NSW 2164  
Australia  
Tel: 02 9756 0950  
E-mail: sales.au@leoch.com

### North America Sales Office

19751 Descartes  
Foothill Ranch, CA 92610, USA  
Tel: 949-588-5853  
Tel: 949-588-5966  
E-mail: sales@leoch.us  
Http:// www.leoch.us

### UK Sales Office

9B Wheatstone Court, Waterwells, Business Park,  
Gloucester, GL2-2AQ, UK United Kingdom  
Tel: +44(0) 1452 729428 / 1452 729696  
Tel: +44 1452 690125  
E-mail: Sales.Europe@leoch.com  
Http:// www.leoch.eu

### EMEA Sales Office

1 Deligiorgi St., 121 31 Athens,  
Greece  
Tel: +30 210 5760318 (2 lines)  
Tel: support\_EMEA@leoch.com  
Http:// www.leoch.eu

### India Sales Office

Shed no.A-53(b), 2nd Stage of Peenya Industrial Area,  
Bangalore North Taluk, Bangalore-560058, India  
Tel: +91-80-23440018/23440019  
Tel: +91-80-23440017  
E-mail: indiasales@leoch.com



[Http://www.leoch.com](http://www.leoch.com)

© 2020 LEOCH. All rights reserved.

Trademarks and logos are the property of LEOCH and its affiliates unless otherwise noted.  
Subject to revisions without prior notice.

Publication No.: LB-LP12-250-PD-EN-V2.3-202110